

**ICOM** | **13th International Congress on**  
**2023** | **Membranes and Membrane Processes**

Sponsorship Prospectus for ICOM 2023

**Hosted by**

Membrane Society of Japan



Organized by

World Membrane Society (WA-MS)  
Aseanian Membrane Society (AMS)  
European Membrane Society (EMS)  
North American Membrane Society (NAMS)

## 1. Name of the Conference

THE 13TH INTERNATIONAL CONGRESS ON MEMBRANES AND MEMBRANE PROCESSES

## 2. Name of the Host and Organizes

Host: The Membrane Society of Japan

Organizers: World Membrane Society  
World Association of Membrane Societies  
Aseanian Membrane Society  
European Society for Membrane Science and Technology  
North American Membrane Society

## 3. ICOM2023 Chairs

|                |                  |   |
|----------------|------------------|---|
| Co-chair       | Takeo Yamaguchi  | Professor at Tokyo Institute of Technology    |
|                | Hideto Matsuyama | Professor at Kobe University                  |
|                | Minoru Tsuru     | Professor at Hiroshima University             |
| Honorary Chair | Shinichi Nakao   | Professor emeritus at the University of Tokyo |

## 4. The Membrane Society of Japan and ICOM

Membranes are utilized in many applications, including water treatment, separations, dialysis, and battery membrane, which is now indispensable technology. Furthermore, it is strongly apparent to the seminal global issue of increasing worldwide water shortage, global warming, and medical measures for late-aging societies that the importance of membrane research is necessary. The establishment of the Membrane Society and the holding of international conferences are necessary for the development of membrane technology. The foundation of the Membrane Society of Japan was in 1978, then ICOM started in 1984 with the Europe-Japan Congress on Membranes held in Italy. This society played a central role in the first ICOM conference in 1987.

After this conference was a great success, ICOM was launched every three years by three societies alternatively in Europe, North America, and Asia-Oceania (Japan hosting until the foundation of the Aseanian Membrane Society). Holding ICOM 2023 at the Asia-Oceania region was already decided as a predetermined spot. And this expertise congress brings to Makuhari in Japan for the first time in ages. The ICOM conference organizes in the Asia-Oceania region every nine years. The next for Japan to be honored back as the host is over 50 years because the Aseanian Membrane Society Council is a member of eight countries and regions. We appreciate

your joining ICOM2023 and connecting new benefits and meaningfulness to Japanese membrane industries with this chance.

## 5. The Goal of ICOM 2023

Japanese membrane manufacturers lead the global market, accounting for half of the world. Meanwhile, the membrane industry is rapidly developing in the Asian region, and it is necessary to make a new appreciation of the high level of Japanese membrane science and technology to the world again. Membrane technology spreads everywhere, including in India and Africa, and membrane academic societies can establish anywhere. In particular, the expansion of membrane uses and the increase in the number of membrane researchers in the Asian region are remarkable, which predict the membrane industries will further develop in the future. This opportunity at the International Membrane Conference in Japan 2023 would be dominant not only to interact and exchange information with world key membrane researchers and engineers but also to demonstrate the high level of membrane science and membrane technology in Japan. This international conference will be supreme for Japan to increase its presence as one of the countries and regions leading cutting-edge research and technology related to membranes in the world.

## 6. Outline / Overview

The attendance for ICOM 2011(Amsterdam) was 1051, that for ICOM 2014(Suzhou) was 1281, and that for ICOM 2017(San Francisco) was 1022. ICOM 2020 in London was switched to an online conference due to the coronavirus attendees only 864. We hope to be able to hold a real international conference in 2023. We have high expectations for the on-site conference in 2023. Meanwhile, we will assume the participation of this conference will need both hybrid and online. Although we expect an attendance over 1000, a subset of a researcher and a delegation from countries and companies may have difficulties in visiting Japan due to the COVID-19. The final number expected would be approximately 700 attendances. We will do our best to ensure International Membrane Conference (ICOM) in Japan will remain in their hearts of the participants. To that end, we appreciate your asking for kind donations.

## 7. Cooperated Academic Societies and Organizations

- Society of Chemical Engineers, Japan
- Society of Chemical Engineers, Japan, Division of Separation Processes
- The Society of Polymer Science, Japan
- Catalysis Society of Japan
- Membrane and Separation Research Circle of Food
- The Society of Fiber Science and Technology, Japan

- Japan Society of Ion Exchange
- The Society of Sea Water Science.
- Chemical Society of Japan
- The Japan Society on Adsorption
- The Biophysical Society of Japan
- Japan Zeolite Society
- The Japan Society of Drug Delivery System
- Japan Society for Analytical Chemistry
- Japan Society on Water Environment
- Academy of Pharmaceutical Science and Technology, Japan
- Japanese Society for the Study of Xenobiotics
- Association of Membrane Separation Technology, Japan
- The Filtration Society Japan Association

## 8. Period

Sunday, July 9, 2023 - Friday, July 14, 2023 (5 days for regular sessions)

## 9. Venue

Makuhari Messe, Inc.  
 2-1, Nakase, Mihama-ku, Chiba-city, 261-8550 Japan  
 TEL +81-43-296-0001  
<https://www.m-messe.co.jp/en/barrierfree/>

## 10. Program

### 1. Meeting Schedule

|           |  |         |  |  |
|-----------|--|---------|--|--|
| Sunday    |  | July 9  |  | <b>Afternoon</b><br>Registration Reception<br>Welcome Reception  |
| Monday    |  | July 10 |  | <b>Morning</b><br>Opening Ceremony & Plenary 1<br>Parallel session 1<br><br><b>Afternoon</b><br>Parallel Session 2<br>Poster Presentation/Exhibition |
| Tuesday   |  | July 11 |  | <b>Morning</b><br>Parallel Session 3<br><br><b>Afternoon</b><br>Parallel Session 4<br>Poster Presentation/Exhibition                                 |
| Wednesday |  | July 12 |  | <b>Morning</b><br>Parallel Session 5   |

|          |  |         |  |
|----------|--|---------|--|
|          |  |         | Afternoon<br>Special Session                     |
| Thursday |  | July 13 |  |
|          |  |         | Morning<br>Parallel Session 6                    |
|          |  |         | Afternoon<br>Parallel Session 7<br>Night banquet |
| Friday   |  | July 14 |  |
|          |  |         | Morning<br>Parallel Session 8                    |
|          |  |         | Afternoon<br>Plenary 2 & Closing Ceremony        |

## 2. Expected number of visitors

|                  |            |
|------------------|------------|
| <b>Domestic:</b> | <b>400</b> |
| <b>Overseas:</b> | <b>300</b> |
| <b>Total:</b>    | <b>700</b> |

## 3. The nationalities of prospective

**Over 30 countries and regions**

## 4. An official working language of ICOM2023

**English**

# 11. Organizing Committee (Host)

### Executive Committee | Secretariat

Chairman      Takeo Yamaguchi      Professor at Tokyo Institute of Technology

### Program Committee

Chairman      Tomohisa Yoshioka      Professor at Kobe University

### Steering Committee

Chairman      Mikihiro Nomura      Professor at Shibaura Institute of Technology

### Planning Committee

Chairman      Hiroyoshi Kawakami      Professor at Tokyo Metropolitan University

### Finance Committee

Chairman      Miki Yoshimune      Senior Researcher at National Institute of  
Advanced Industrial Science and Technology

### Sponsorship Committee

Chairperson      Hiroshi Umakoshi      Professor at Osaka University

## Industrial Sector Committee

Chairman        Takahiro Kawakatsu  
Vice Chairman   Masahide Taniguchi

Kurita Water Industries  
Toray Industries, Inc.

## 12. Host Information

### The Membrane Society of Japan

Chairperson     Emiko Okamura        Professor at Himeji Dokkyo University

### ICOM2023 Executive Committee

Chair             Takeo Yamaguchi       Professor at Tokyo Institute of Technology

### Secretariat

Nippon Travel Agency

Yotusya TN Bldg. 4F 16-1 Samon-cho Shinjuku-Ku Tokyo 160-0017

TEL:              +81-3-5369-4534

E-mail:            [icom\\_2023@nta.co.jp](mailto:icom_2023@nta.co.jp)

# Guidelines for Sponsorship

## Sponsorship Plans

Four ranges of commercial sponsorship opportunities are available.

*\*Platinum Plan and Gold Plan may only accept a limited number. Please inquire about these plans with the Secretariat before applying.*

### **Platinum Plan** — **2,000,000 yen**

- Corporate commercial sponsorship exposes in Venue.
- Sponsored exposes on either the front or back cover page of the Booklet.
- Sponsored logo on the website and the Bulletin Board posted.
- Corporate promotional media exposes between the sessions.
- Up to Three Booths may only use for free.
- Up to eight at reception and social parties are free to attend.

### **Gold Plan** — **1,000,000 yen**

- Corporate commercial sponsorship exposes in Venue.
- Sponsored exposes on either the inside page of the Booklet.
- Sponsored logo on the website posted.
- Up to Two Booths may only use for free.
- Up to five at reception and social parties are free to attend.

### **Silver Plan** — **500,000 yen**

- Advertisement placement in the Booklet of Abstracts.
- Sponsored logo on the website posted.
- Up to One Booth may only use for free.
- Up to three at reception and social parties are free to attend.

### **Bronze Plan** — **200,000 yen**

- Sponsored logo post on the program booklet and the website.
- Up to one at reception and social parties are free to attend.

## The Corporate Advertising on the Venue

| Plan          | Date and time                              | Venue (agenda) | Seating Capacity (MAX) |
|---------------|--|----------------|------------------------|
| Platinum Plan | July 12 in 2023 (Wednesday)<br>12:00-14:00 | 201            | 300 seats              |
| Gold Plan     | July 12 in 2023 (Wednesday)<br>14:00-16:00 | 103            | 170 seats              |

- You may only spend 30 to 50 minutes for each sponsor. The content of the program is left up to the sponsors. Remember to send your content to the secretariat by Friday, March 31, 2023.
- Included in the price: fee for the lecture meeting, waiting room usage, video/audio/lighting equipment, presentation equipment for PC, and meals, including snacks and beverages. The platinum plan has extra service boxed lunches.
- Not included in Plan: transportation, honorariums, accommodation, video/audio recording, and other costs of presentation and lectures.

## Sponsored logo and advertisement placement

### Booklet of Abstracts

Planned circulation number of copies:

- Approximately 600 copies
- Format: A4-size, Black and White printing except for the outside front and back covers.
- Application deadline: Early April 2023

### Sponsored logo

- Placement: Sponsors" page on the ICOM 2023 Website  
Bulletin Board in the venue (Platinum plan only)
- After the confirmation notification, the secretariat requests the submission of your logo data.
- The size of the logo depends on the Sponsorship Plans.

### Company promotion exposure (Platinum plan only)

- Each sponsor benefits to looping promotional videos for one minute during the breaks between sessions.
- Remember to submit a promotional video less than one minute.
- Time limits for submission: Early June 2023.

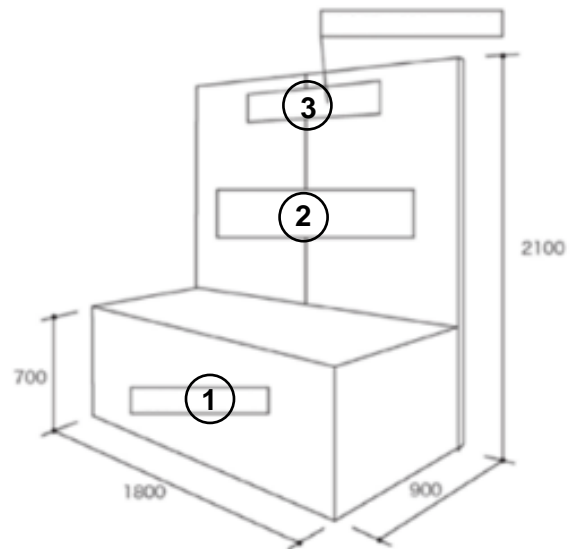
## About the Exhibition

- Basic Standard Size of Booth: Frontage 1,800mm x Depth 900mm x Height 2,100mm
  - Basic Equipment: Display board and table, White cloth, and Company Nameplate
- \*Please note that sure to store your large-sized exhibits in your Booths.
- \*\*Please note that it does not include the privilege indicate the location of booths and this is only entrust to the executive committee with these arrangements.



## Display Stand

1. Display Stand with a white sheet
2. Display Board may only use push pins.
3. Name Board H200 X W900



## Luncheon Seminars

- Sponsors registered for the Platinum Plan and Gold Plan may only apply for luncheon seminars if they wish. The schedule is the lunch break time of each day except Wednesday, July 12, 2023. Let us know whenever you are applied.
- The final decision on the acceptance or rejection of candidates and the schedule will assign to the discretion of the executive committee. This will be announced in early March 2023.
- After connecting to the secretariat, you can negotiate regarding chairpersons and presenters. Remember to inform us on Friday, March 31, 2023, after making the formal decision.
- Included in the cost: Lecture venue fee, waiting room usage fee, video/audio/lighting equipment fee, PC presentation equipment
- Costs not included: Costs for chairpersons and speakers (transportation costs, honorariums, accommodation costs, and meal and beverage costs), costs for administrative staff (announcements, proceedings, distribution of lunch boxes, etc.), billboards, recording costs, etc. Publicity expenses such as flyer creation, food and drink expenses for participants.

## Application Period

Saturday, October 1, 2022 to Thursday, February 10, 2023

## Application Process and Schedule

Apply from the dedicated site for: [https://va.apollon.nta.co.jp/icom2023\\_sponsorship/](https://va.apollon.nta.co.jp/icom2023_sponsorship/).

After confirming your application, the secretariat issues an invoice separately.

After receiving the invoice, remember to make a payment by Wednesday, May 10, 2023.

## Person in charge of Solicitation

### 13th International Membrane Conference | ICOM2023

|   |            |                    |                               |
|---|------------|--------------------|-------------------------------|
| Co-Sponsorship Committee,<br>Industrial Sector Committee, | Co-chair   | Takeo Yamaguchi    | Tokyo Institute of Technology |
|   | Co-chair   | Hideto Matsuyama   | Kobe University               |
|   | Co-chair   | Minoru Tsuru       | Hiroshima University          |
|   | Chair      | Hiroshi Umakoshi   | Osaka University              |
|   | Chair      | Takahiro Kawakatsu | Kurita Water Industries       |
|   | Vice Chair | Masahide Taniguchi | Toray Industries, Inc.        |

## Secretariat

Nippon Travel Agency  
Yotusya TN Bldg. 4F 16-1 Samon-cho Shinjuku-Ku Tokyo 160-0017  
TEL: +81-3-5369-4534  
E-mail: [icom\\_2023@nta.co.jp](mailto:icom_2023@nta.co.jp)